



Parts Manual

Mfg. No: MNA152506
Murray 20" Cut Walk Behind Mower
(2021)



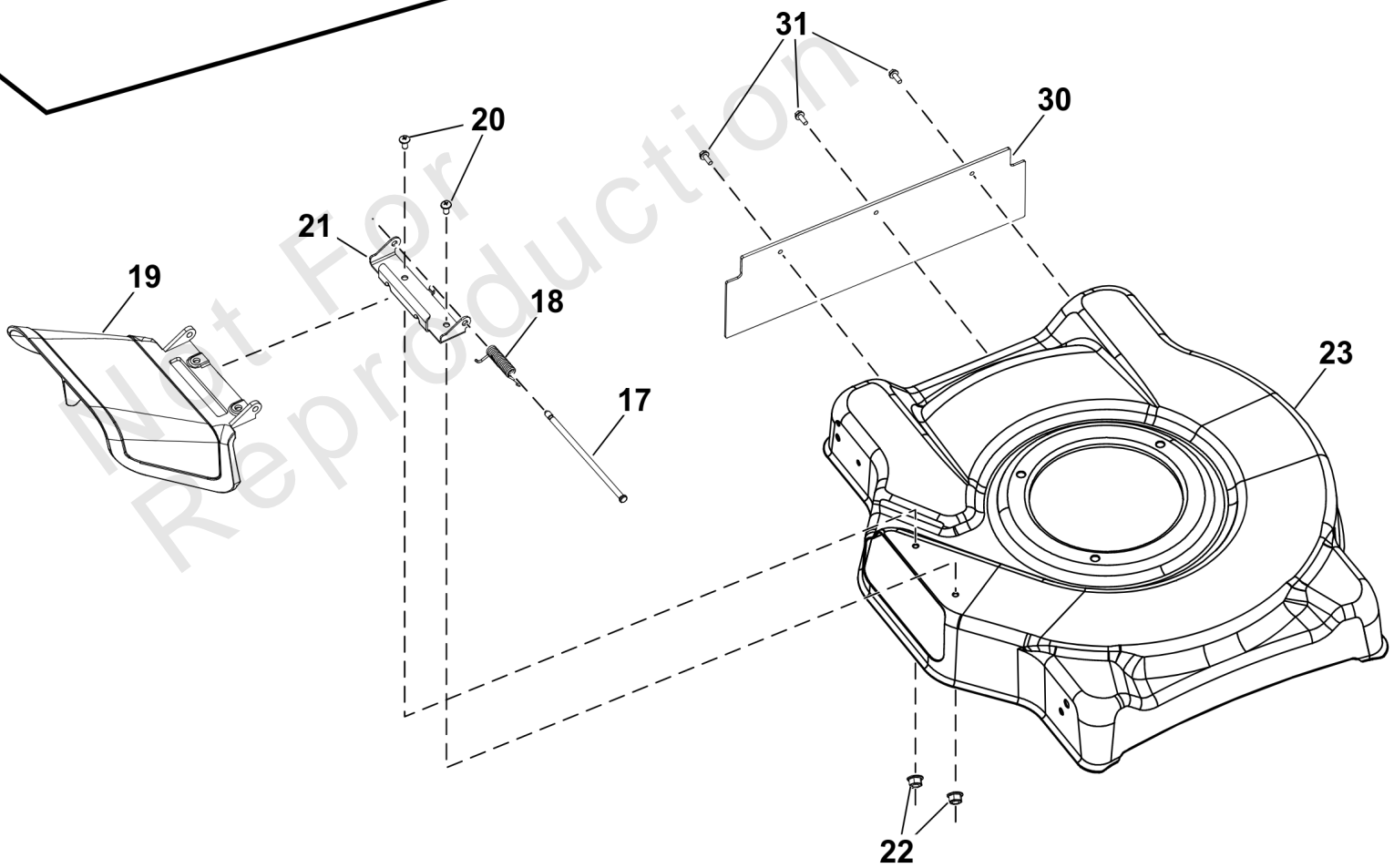
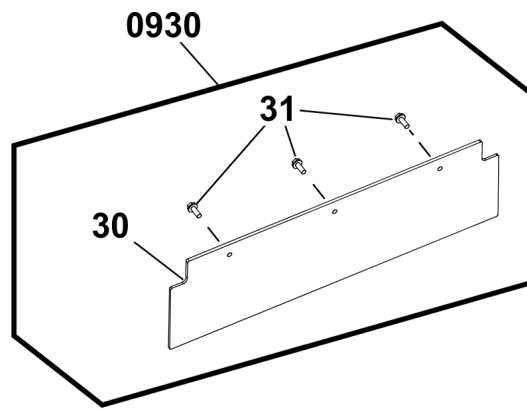
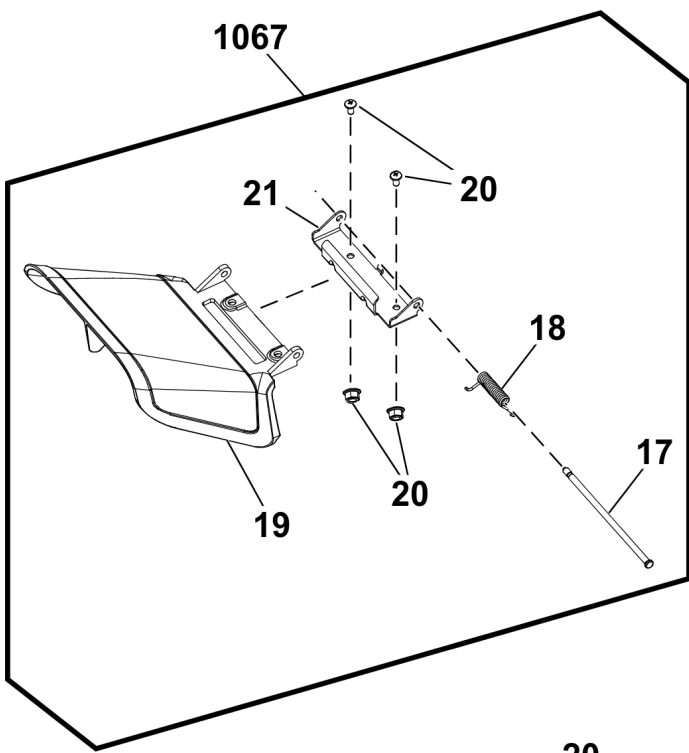
Model Components	Page
Deck Group.....	4
Engine & Blade Group.....	6
Handles & Controls Group.....	8
Wheels Group.....	10
Torque Specification Chart.....	12

Not For
Reproduction

Deck Group

Note: Unless noted otherwise, use the standard torque specifications

Mfg. No: MNA152506



Deck Group

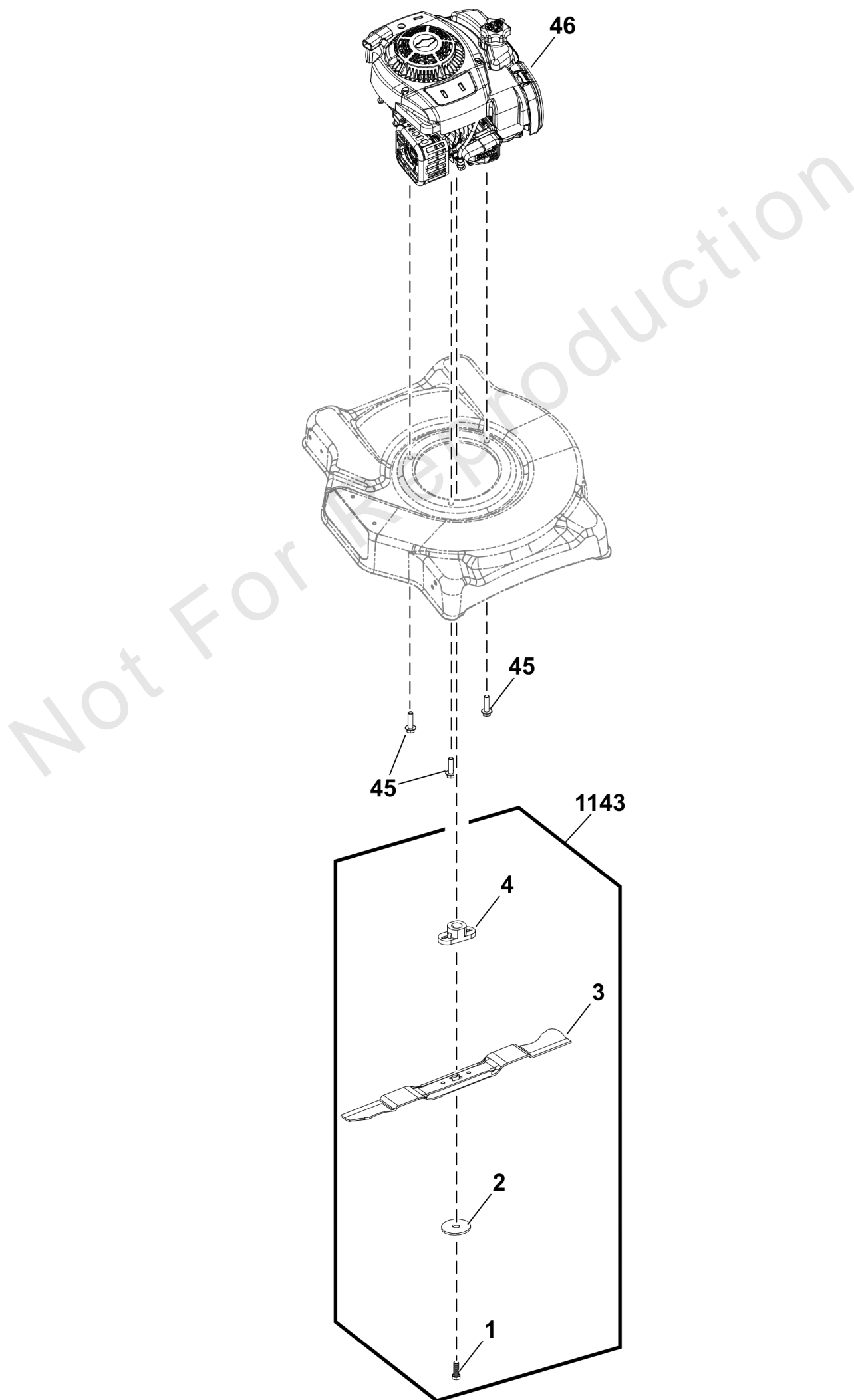
REF NO	PART NO	QTY	DESCRIPTION
23	-----	1	DECK
0930	84006772	1	KIT, Dust Cover -(Incl. Ref. Nos. 30, 31)
30	-----	1	COVER, Dust
31	-----	3	SCREW
1067	84006773	1	KIT, Deflector -(Incl. Ref. Nos. 17, 18, 19, 20, 21, 22)
17	-----	1	SHAFT, Deflector
18	-----	1	SPRING, Deflector
19	-----	1	DEFLECTOR
20	-----	2	SCREW
21	-----	1	BRACKET, Deflector
22	-----	2	NUT, Lock

Not For Reproduction

Engine & Blade Group

Note: Unless noted otherwise, use the standard torque specifications

Mfg. No: MNA152506



Engine & Blade Group

REF NO	PART NO	QTY	DESCRIPTION
45	-----	3	BOLT
46	08P502-0163-F1	1	ENGINE -(Refer to Note: *)
1143	84006774	1	KIT, Blade -(Incl. Ref. Nos. 1, 2, 3, 4)
1	-----	1	BOLT, Blade
2	-----	1	WASHER
3	84006775	1	BLADE, Mower
4	-----	1	ADAPTER, Blade

Not For
Reproduction

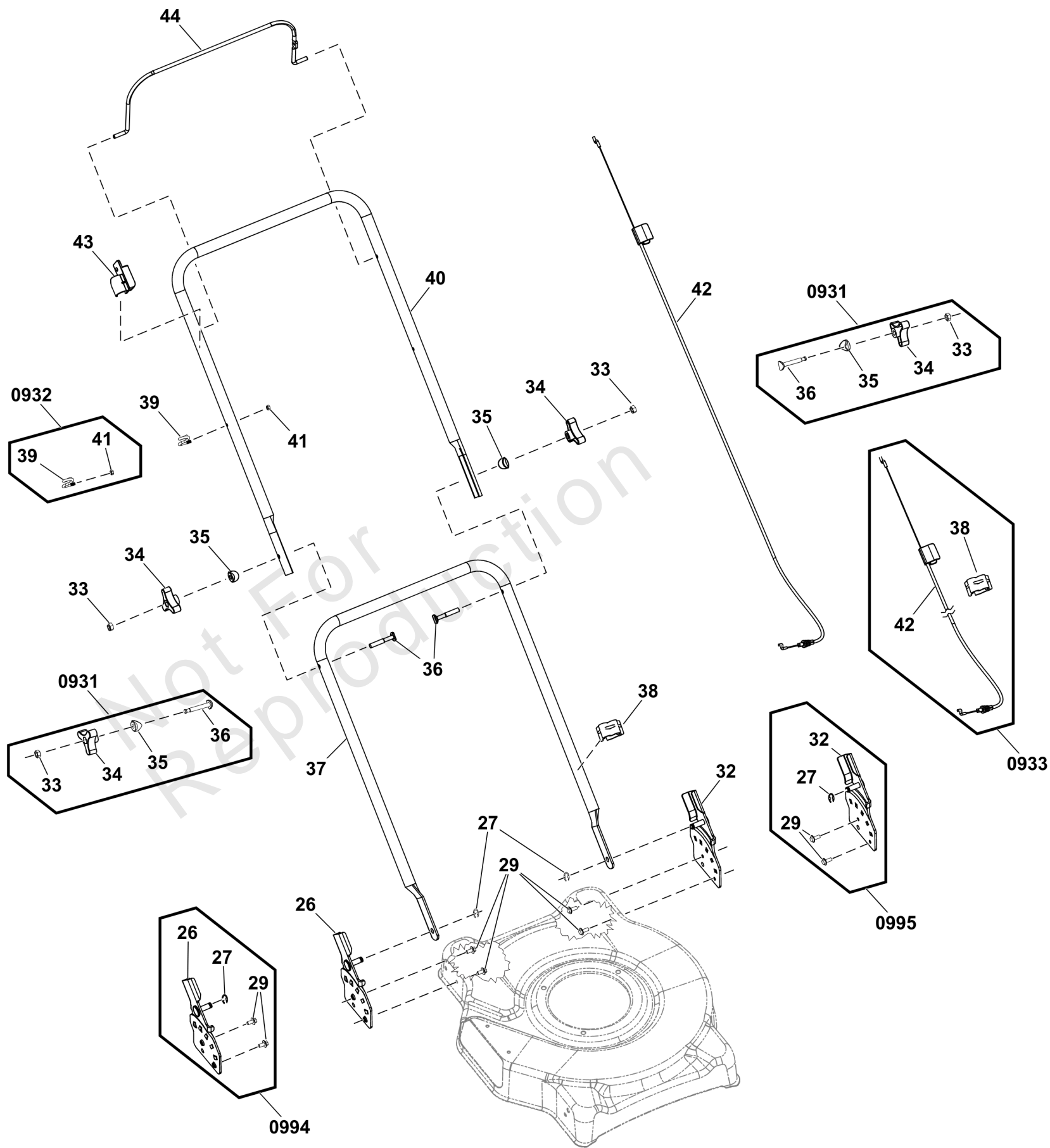
Footnotes:

Note:* Refer to your local Briggs & Stratton distributor for parts and service.

Handles & Controls Group

Note: Unless noted otherwise, use the standard torque specifications

Mfg. No: MNA152506



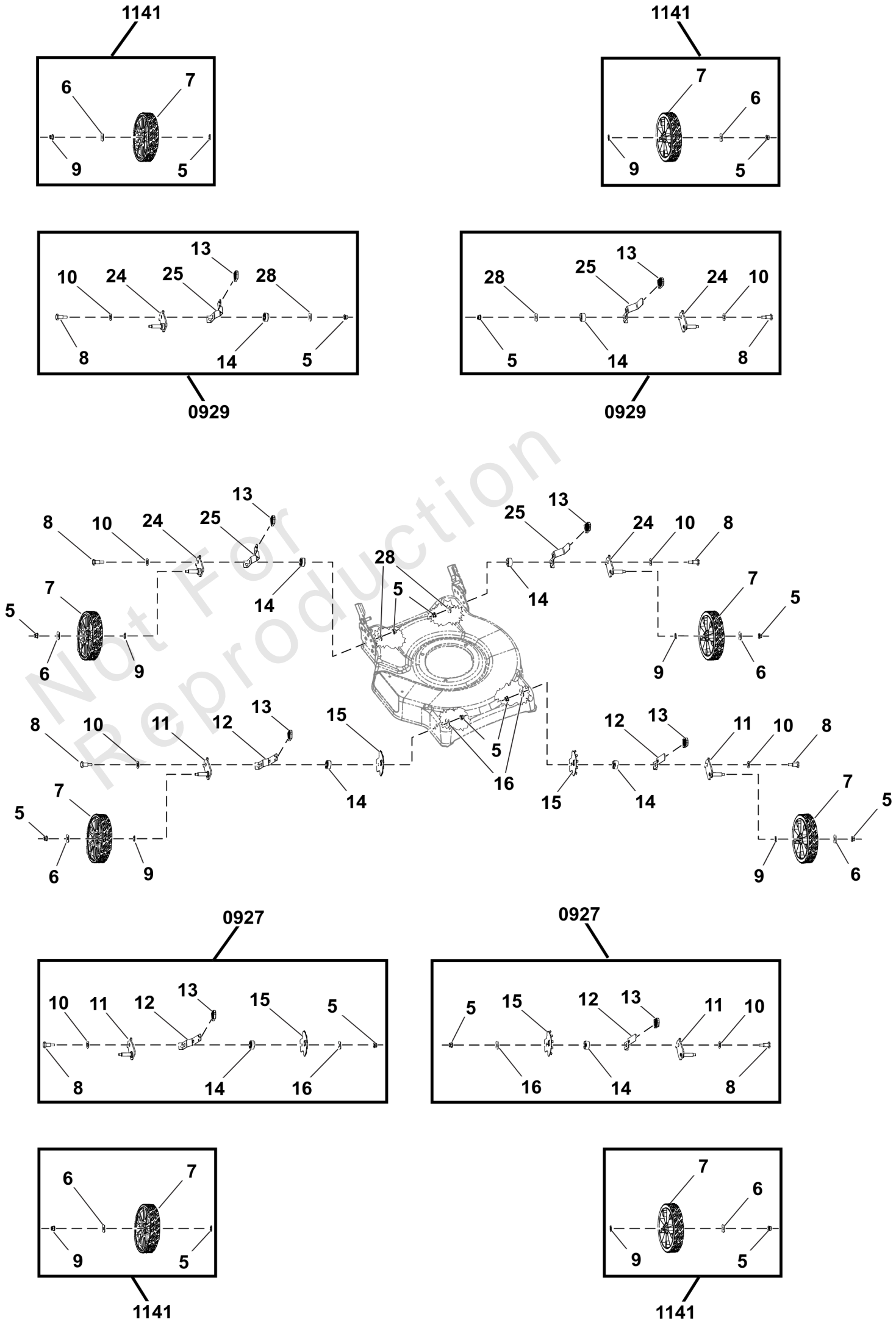
Handles & Controls Group

REF NO	PART NO	QTY	DESCRIPTION
37	84006776	1	HANDLE, Lower
40	84006777	1	HANDLE, Upper
43	84005228	1	BRACKET, Rod
44	84005227	1	BAIL ASSEMBLY
0931	84005209	2	KIT, Wing Knob, Handle -(Incl. Ref. Nos. 33, 34, 35, 36)
33	-----	1	NUT
34	-----	1	KNOB, Wing
35	-----	1	WASHER, Curved
36	-----	1	BOLT, Carriage
0932	84005211	1	KIT, Rope Guide -(Incl. Ref. Nos. 39, 41)
39	-----	1	GUIDE, Rope
41	-----	1	NUT, Lock
0933	84005208	1	KIT, Cable, Engine Stop -(Incl. Ref. Nos. 38, 42)
38	-----	1	CLIP, Cable
42	-----	1	CABLE, Engine Stop
0994	84006778	1	KIT, Bracket, Right -(Incl. Ref. Nos. 26, 27, 29)
26	-----	1	BRACKET, Handle, Right
27	-----	1	E-CLIP
29	-----	1	BOLT, Hex Head, Flange
0995	84006779	1	KIT, Bracket, Left -(Incl. Ref. Nos. 27, 29, 32)
27	-----	1	E-CLIP
29	-----	1	BOLT, Hex Head, Flange
32	-----	1	BRACKET, Handle, Left

Wheels Group

Note: Unless noted otherwise, use the standard torque specifications

Mfg. No: MNA152506



Wheels Group

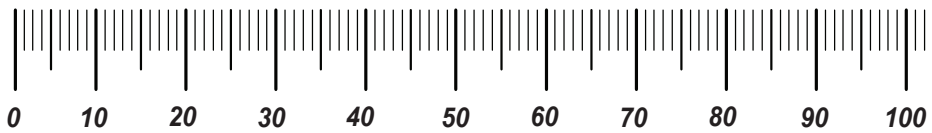
REF NO	PART NO	QTY	DESCRIPTION
0927	84006769	2	KIT, Front Axle -(Incl. Ref. Nos. 5, 8, 10, 11, 12, 13, 14, 15, 16)
5	-----	1	NUT, Lock
8	-----	1	BOLT
10	-----	1	WASHER, Flat
11	-----	1	ASSEMBLY, Axle, Front
12	-----	1	LEVER, Height Adjust, Front
13	-----	1	HANDLE, Height Adjust
14	-----	1	SPACER, Height Adjust
15	-----	1	BRACKET, Height Adjust
16	-----	1	WASHER, Flat
0929	84006770	2	KIT, Rear Axle -(Incl. Ref. Nos. 5, 8, 10, 13, 14, 24, 25, 28)
5	-----	1	NUT, Lock
8	-----	1	BOLT
10	-----	1	WASHER, Flat
13	-----	1	HANDLE, Height Adjust
14	-----	1	SPACER, Height Adjust
24	-----	1	ASSEMBLY, Axle, Rear
25	-----	1	LEVER, Height Adjust, Rear
28	-----	1	WASHER, Flat
1141	84006771	4	KIT, Wheel -(Incl. Ref. Nos. 5, 6, 7, 9)
5	-----	1	NUT, Lock
6	-----	1	WASHER, Flat
7	-----	1	WHEEL
9	-----	1	WASHER, Flat

Hardware Identification & Torque Specifications

Torque Specification Chart								
FOR STANDARD METRIC MACHINE HARDWARE (Tolerance ± 20%)								
Property Class	5.6		8.8		10.9		12.9	
	Class 5.6		Class 8.8		Class 10.9		Class 12.9	
Size Of Hardware	in/lbs	Nm.	in/lbs	Nm.	in/lbs	Nm.	in/lbs	Nm.
	ft/lbs		ft/lbs		ft/lbs		ft/lbs	
M3	5.88	.56	13.44	1.28	19.2	1.80	22.92	2.15
M4	13.44	1.28	30.72	2.90	43.44	4.10	52.56	4.95
M5	26.4	2.50	60.96	5.75	5.97	8.10	7.15	9.7
M6	44.64	4.3	7.3	9.9	10.3	14	12.1	16.5
M7	5.2	7.1	12.1	16.5	16.9	23	19.9	27
M8	7.7	10.5	17.7	24	25	34	29	40
M10	15	21	35	48	50	67	59	81
M12	26	36	61	83	86.2	117	103	140
M14	42	58	101	132	136	185	162	220
M16	64	88	147	200	210	285	250	340
M18	89	121	202	275	287	390	346	470
M20	126	171	290	390	405	550	486	660
M22	169	230	390	530	559	745	656	890
M24	217	295	497	375	708	960	840	1140
M27	320	435	733	995	1032	1400	1239	1680
M30	435	590	995	1350	1401	1900	1681	2280
M33	590	800	1349	1830	1902	2580	2278	3090
M36	759	1030	1740	2360	2441	3310	2935	3980
M39	988	1340	2249	3050	3163	4290	3798	5150

Torque Specification Chart						
FOR STANDARD MACHINE HARDWARE (Tolerance ± 20%)						
Hardware Grade	No Marks		SAE Grade 5		SAE Grade 8	
	SAE Grade 2		SAE Grade 5		SAE Grade 8	
Size Of Hardware	in/lbs	Nm.	in/lbs	Nm.	in/lbs	Nm.
	ft/lbs		ft/lbs		ft/lbs	
8-32	19	2.1	30	3.4	41	4.6
8-36	20	2.3	31	3.5	43	4.9
10-24	27	3.1	43	4.9	60	6.8
10-32	31	3.5	49	5.5	68	7.7
1/4-20	66	7.6	8	10.9	12	16.3
1/4-28	76	8.6	10	13.6	14	19.0
5/16-18	11	15.0	17	23.1	25	34.0
5/16-24	12	16.3	19	25.8	29	34.0
3/8-16	20	27.2	30	40.8	45	61.2
3/8-24	23	31.3	35	47.6	50	68.0
7/16-14	30	40.8	50	68.0	70	95.2
7/16-20	35	47.6	55	74.8	80	108.8
1/2-13	50	68.0	75	102.0	110	149.6
1/2-20	55	74.8	90	122.4	120	163.2
9/16-12	65	88.4	110	149.6	150	204.0
9/16-18	75	102.0	120	163.2	170	231.2
5/8-11	90	122.4	150	204.0	220	299.2
5/8-18	100	136	180	244.8	240	326.4
3/4-10	160	217.6	260	353.6	386	525.0
3/4-16	180	244.8	300	408.0	420	571.2
7/8-9	140	190.4	400	544.0	600	816.0
7/8-14	155	210.8	440	598.4	660	897.6
1-8	220	299.2	580	788.8	900	1,244.0
1-12	240	326.4	640	870.4	1,000	1,360.0

The guides and ruler furnished below are designed to help you select the appropriate hardware.



Nut, M8

Thread Diameter (mm)

Inside Diameter (in) Threads per inch

Nut, 1/2-16



Screw, M8- 1.25 x 25

Thread Diameter (mm) Distance between threads (mm) Body Length (mm)

Body Diameter Threads per inch Body Length (in)

Screw, 1/2- 16 x 2



Standard Hardware Sizing

When a washer or nut is identified as 1/2" (M8), this is the *Nominal size*, meaning the *inside diameter* is 1/2 inch (8mm metric thread diameter); if a second number is present it represents the *threads per inch* (distance between threads).

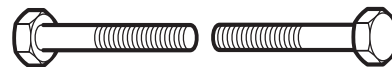
When bolt or capscrew is identified as 1/2 - 16 x 2" (M8 - 1.25 x 50), this means the *Nominal size*, or body diameter is 1/2 inch (8mm metric thread diameter), the second number, 16, represents the *threads per inch*, (*distance between threads*). The final number is the body length of the bolt or screw, 2 inches (50mm).

NOTES

- These torque values are to be used for all hardware excluding: locknuts, self-tapping screws, thread forming screws, sheet metal screws and socket head setscrews.
- Recommended seating torque values for locknuts:
 - for prevailing torque locknuts - use 65% of grade 5 torques.
 - for flange whizlock nuts and screws - use 135% of grade 5 torques.
- Unless otherwise noted on assembly drawings, all torque values must meet this specification.

Common Hardware Types

Hex Head Capscrew



Washer



Carriage Bolt



Hex Nut

Wrench & Fastener Size Guide

1/4" Bolt or Nut Wrench—7/16"	5/16" Bolt or Nut Wrench—1/2"	3/8" Bolt or Nut Wrench—9/16"	7/16" Bolt or Nut Wrench (Bolt)—5/8" Wrench (Nut)—11/16"	1/2" Bolt or Nut Wrench—3/4"
M6 Bolt or Nut Wrench—10mm	M8 Bolt or Nut Wrench—13mm	M10 Bolt or Nut Wrench—17mm	M12 Bolt or Nut Wrench—19mm	M14 Bolt or Nut Wrench—22mm

MURRAY®